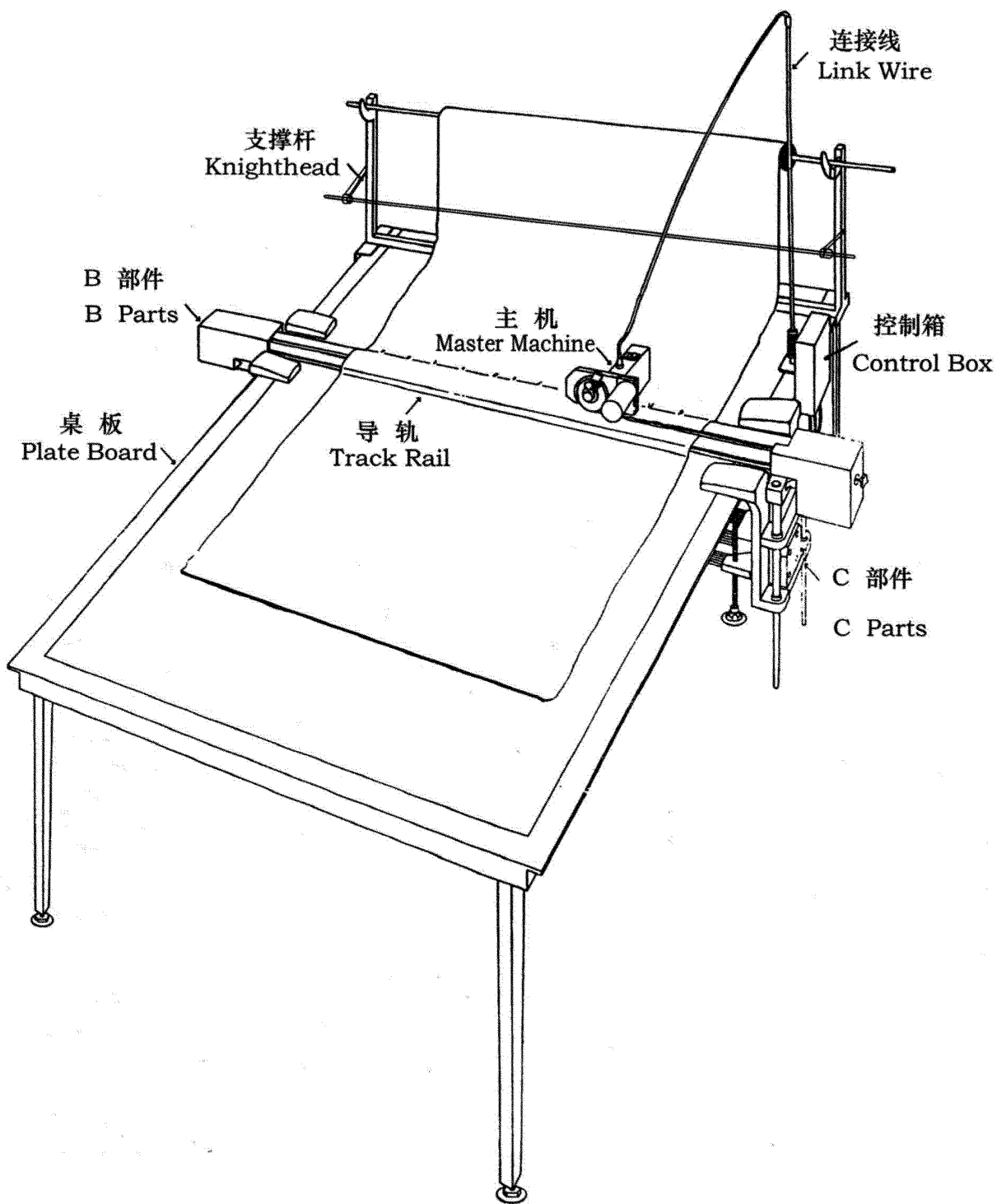


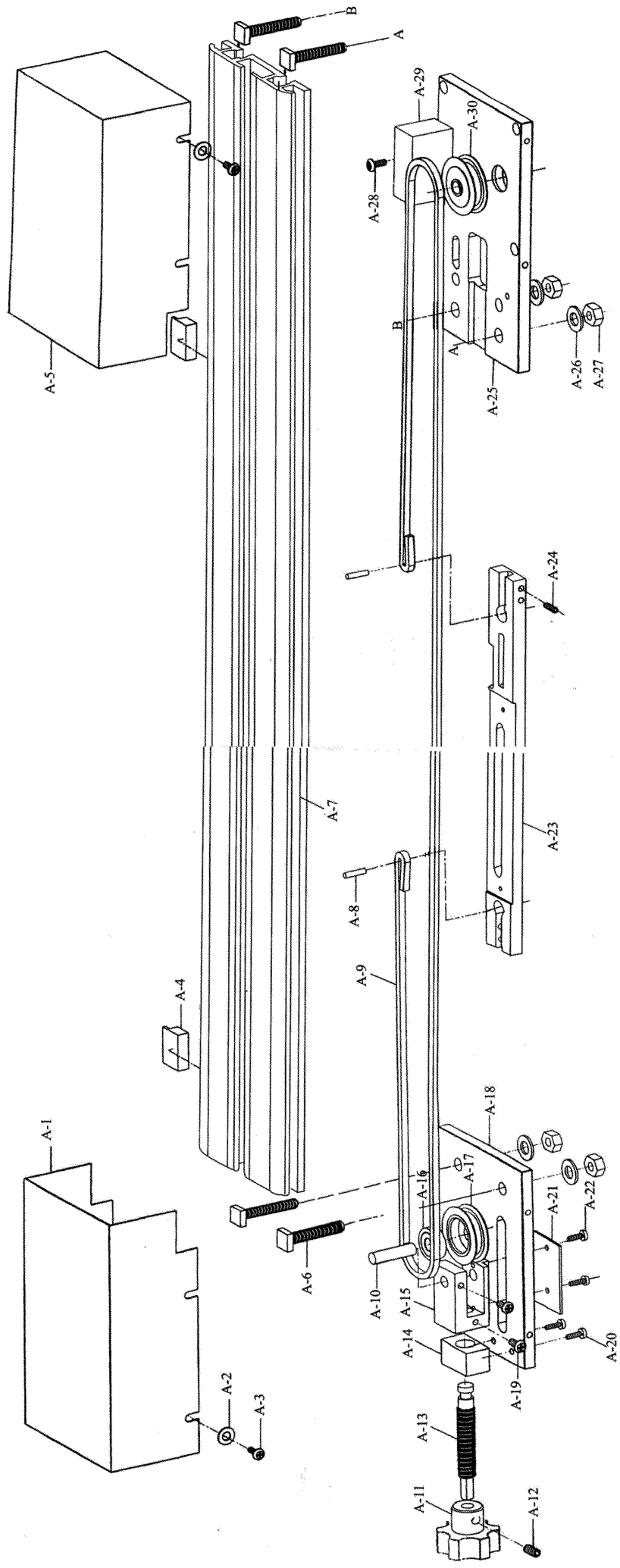
Auto Track Cutting System

自动断布机

DYDB-2



零件 PARTS



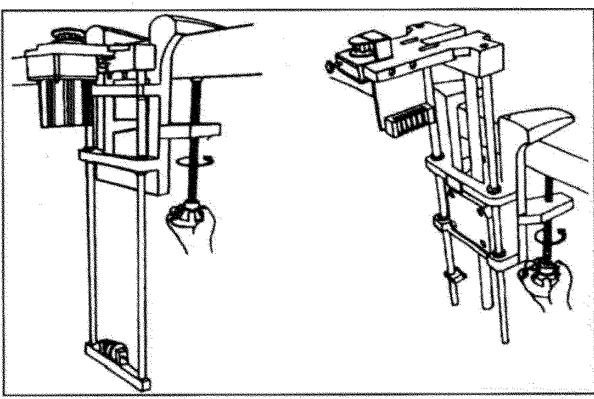


图 1

1 当支架位置正确后，应按左图所示旋紧手柄夹紧桌板。

◆ 注意：
装在支承轴下端的限位开关必须朝着正确的方向。

After turning the handle to the right, fix clamp on the plate board.

◆ Caution
Limit switch that is installed below the track in the control box should be always placed to the direction of polishing.

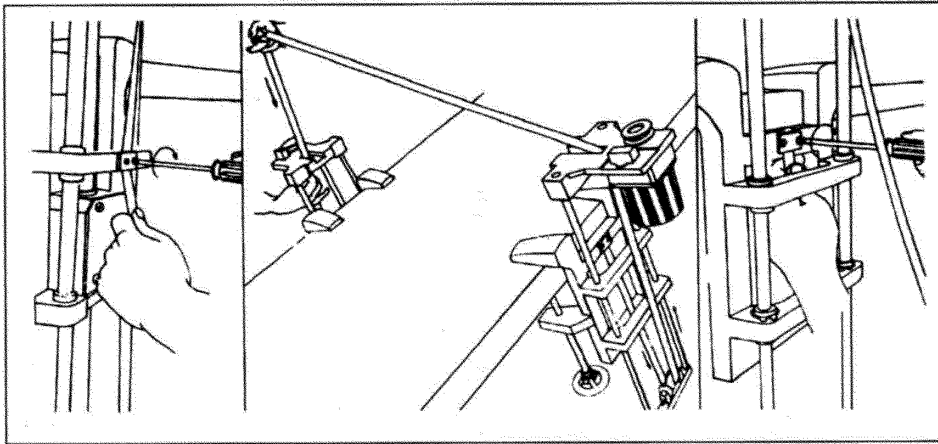


图 2

2 按图示方法，当悬挂

好带后，应在保持带水平下将带的两端用压板压紧。

Brake & reverse area
After hanging poly belt (green belt) on the reverse area, it should be fixed by holding the ends of both horizon to link with brake area as can be shown in the side picture.

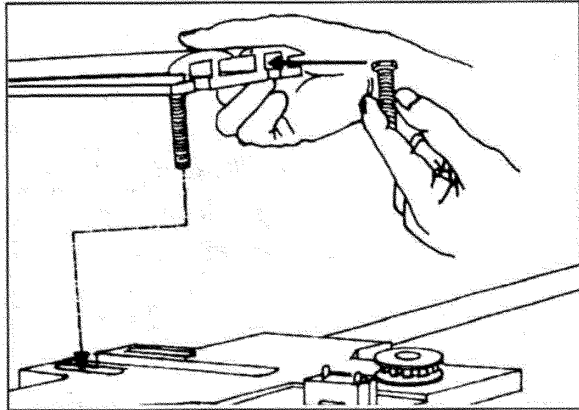


图 3

3 正确放置好铝导轨，然后按图示方向装上六角螺栓。

◆ 注意：
装六角螺栓时，你应同时装上垫圈和六角螺母。

Put aluminum track normally on both sides, then hang the hexagonal track bolt to the direction of the picture.

◆ Caution
Hanging the hexagonal track bolt, you should just hang nuts for washer without inserting.

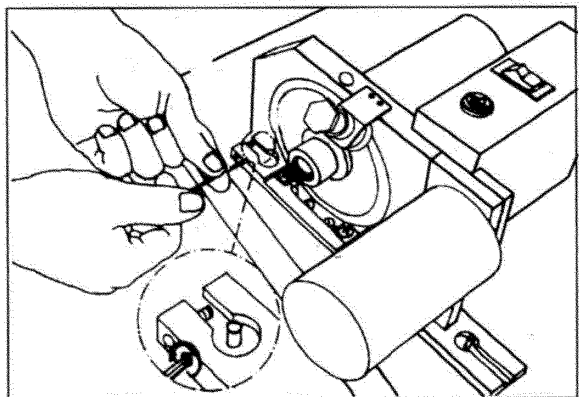


图 4

4 当正确装好主机后，应放松底板上的紧定螺钉。见图。

After putting knife box in normal way, release the 2.0mm range bolt to the left side.

Ref.no 序号	Name of parts	名 称	Q'ty 数 量	Remarks 备 注
A-1	Rear Cover	后罩壳	1	
A-2	Washer	垫圈	8	
A-3	Screw	螺钉	8	
A-4	Lead Switch	导向开关	2	
A-5	Front Cover	前罩壳	1	
A-6	Bolt	螺栓	4	
A-7	Aluminum Track Rail	导轨	1	
A-8	Spring Pin	弹簧销	2	
A-9	Gear Belt	同步带	1	
A-10	Tension Wheel Shaft	涨紧轮轴	1	
A-11	Handle Bolt	调节手柄	1	
A-12	Set Screw	紧定螺钉	1	
A-13	Handle Bolt	螺杆	1	
A-14	Fixing Block	固定块	1	
A-15	Tension Wheel Plate	涨紧轮座	1	
A-16	Bearing	轴承	1	
A-17	Timing Gear	从动同步带轮	1	
A-18	Idler Pulley Plate	导轮板	1	
A-19	Screw	螺钉	2	
A-20	Screw	螺钉	2	
A-21	Lock Plate	固定板	1	
A-22	Screw	螺钉	4	
A-23	Lower Knife Fixation Metal	底板	1	
A-24	Set Screw	紧定螺钉	4	
A-25	Break Cramp Base	支承板	1	
A-26	Washer	垫圈	4	
A-27	Nut	螺母	4	
A-28	Screw	螺钉	1	
A-29	Electric Condenser	电容器	1	
A-30	Reverse Timing Gear	主动同步带轮	1	

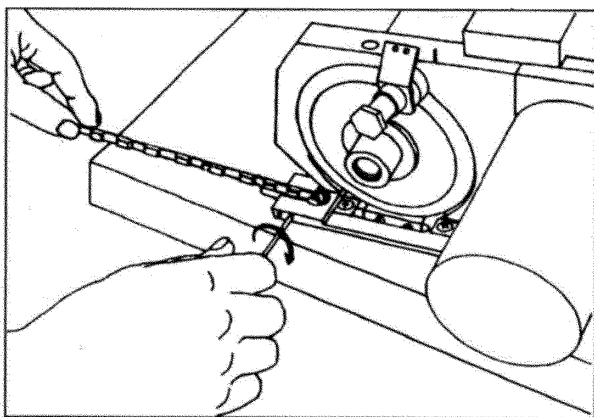


图 5

5 把同步带弯成U形套在弹簧销上，再锁紧紧定螺钉。

Using range 2.0mm, the black belt should be fasten to the right with U-type pen.

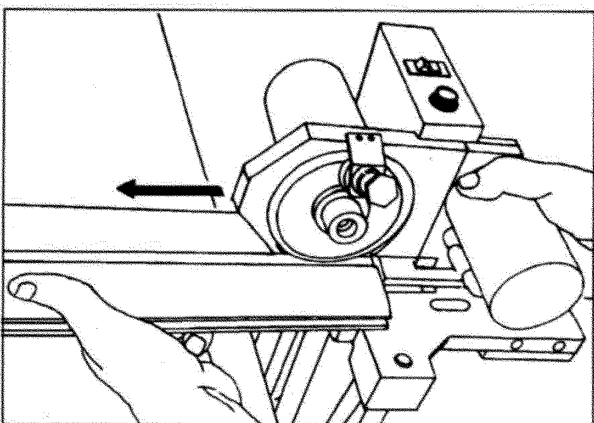


图 6

6 按图示方向，将主机装入导轨。

Front area of knife box should be headed for reverse side to put into the track.

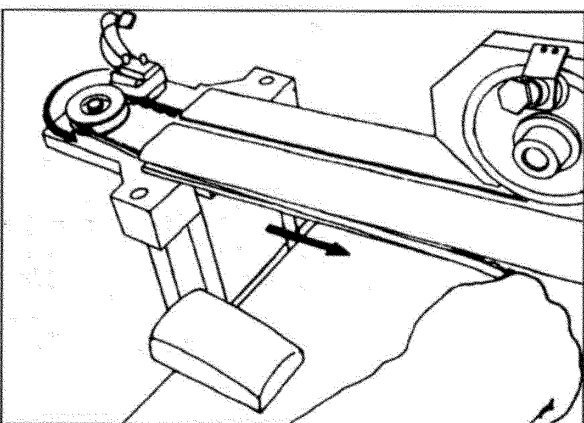


图 7

7 按住主机，把同步带绕过同步带轮，再引入铝导轨的凹槽。

◆ 注意：
不应扭转同步带。

In the state of standstill of aluminum box, you should hold on gear belt to turn to the reverse side, pushing the gear belt into the groove on the side of aluminum track.

◆ Caution
Be careful not to the gear belt get twisted.

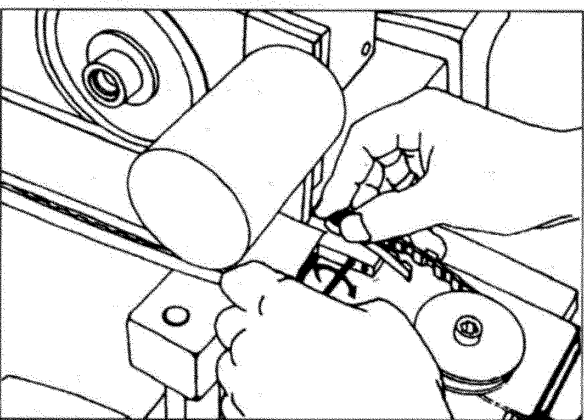


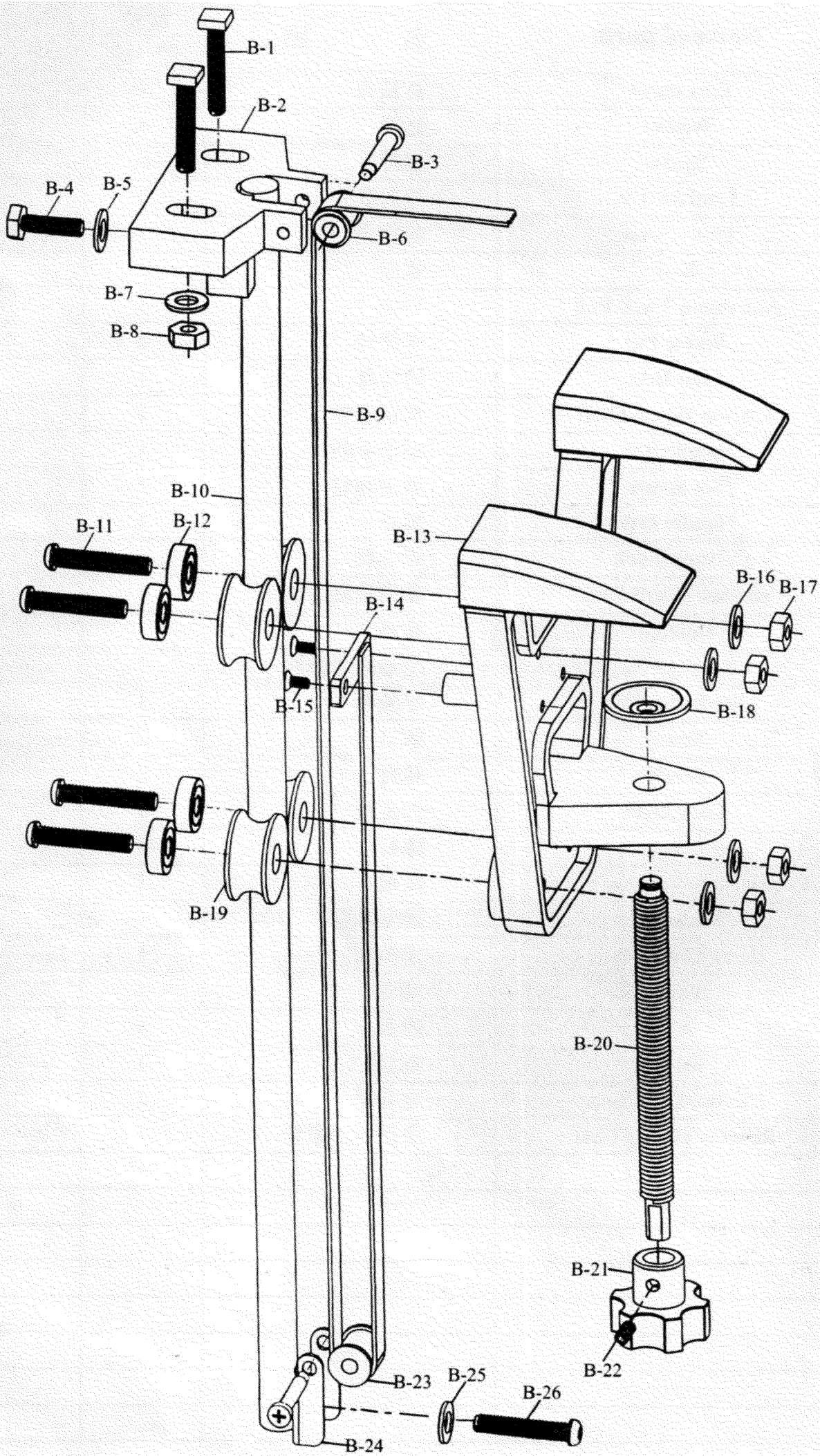
图 8

8 把绕回的同步带连接到底板的另一端后，再锁紧紧定螺钉。

◆ 注意：
多余的同步带应用剪刀剪掉。

Fasten the inserted gear belt on the back part of knife box, using the 2.0mm range, after linking with timing pulley on the brake area.

◆ Caution
The remained gear belt should be cut out with scissors.



9 放上电线支架后，应旋紧手柄，夹紧桌板。

After put the wire supporting right, fix clamp the plate board.

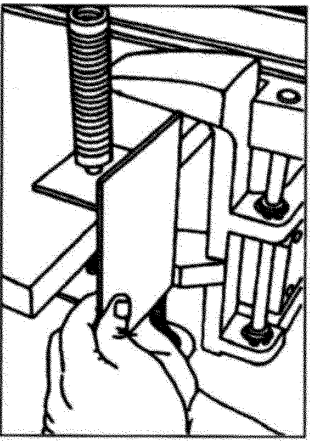


图 9

10 把电线装入按装空心管的弹簧入口，再把3线插座插入主机盒上的3线插口。

Insert antenna suitably into the entrance of spring of the supporting bar for antenna. 3p jack should be inserted into the knife box 3p jack.

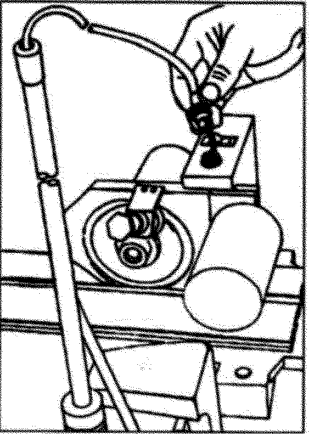


图 10

11 电线底端的3线插口应与控制箱底端的3线插口连接。

3p jack of bottom area of antenna should be inserted into the 3p jack of left area of control box.

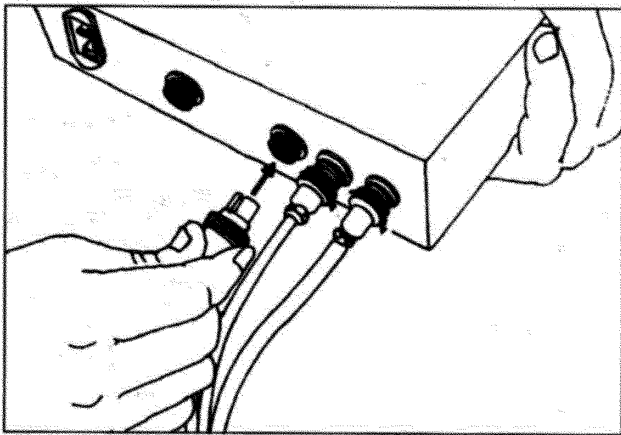


图 11

12 把控制箱沿着电线支承座后板边缘装入。见图。

Put control box adequately into the supporting bar for antenna.

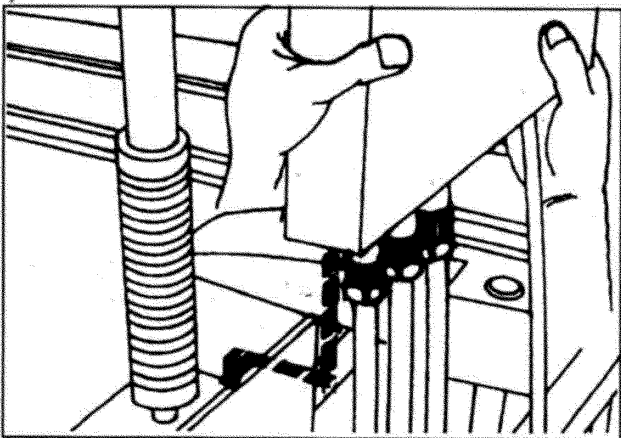


图 12

Ref.no	Name of parts	名 称	Q'ty	Remarks
序 号			数 量	备 注
B-1	Bolt	螺栓	2	
B-2	Foot	压脚	1	
B-3	Poly Jockey Pulley Shat	带导轮轴	2	
B-4	Bolt	螺栓	1	
B-5	Washer	垫圈	1	
B-6	Poly Jockey Pulley	带导轮	1	
B-7	Washer	垫圈	2	
B-8	Nut	螺母	2	
B-9	Poly Belt	牵引带	1	
B-10	Shaft	支承轴	1	
B-11	Bolt	螺栓	4	
B-12	Slide Bearing	轴承	4	
B-13	Jockey Pulley Rack	导轮架	1	
B-14	Poly Belt Fixation Metal	带压板	1	
B-15	Screw	螺钉	2	
B-16	Washer	垫圈	4	
B-17	Nut	螺母	4	
B-18	Handle Dish	压垫	1	
B-19	Roller	滚轮	4	
B-20	Handle Bolt	螺杆	1	
B-21	Handle	手柄	1	
B-22	Set Screw	紧定螺钉	1	
B-23	Poly Jockey Pulley(down)	带导轮（下）	1	
B-24	Poly Roller Plate	下带导轮座	1	
B-25	Washer	垫圈	1	
B-26	Screw	螺钉	1	

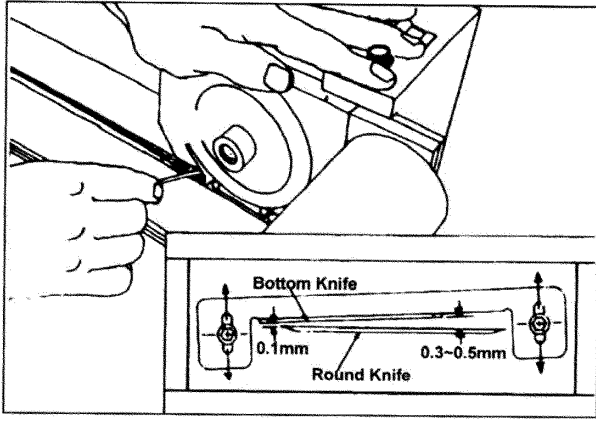


图 13

- 13** 调节磨刀垫
 当磨刀垫和旋转圆刀的间隙变得越来越大时，你应该重新调整磨刀垫，使间隙在图示范围内，从而使机器断布更完美。

When the interval between fixed bottom and rotation round knife becomes bigger, you should regulate the knife by using range to make enable perfect cutting.

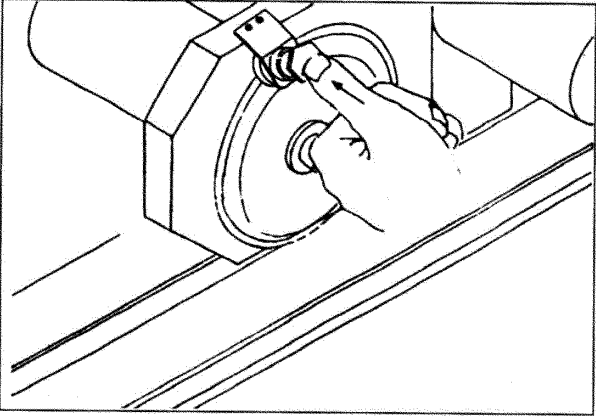
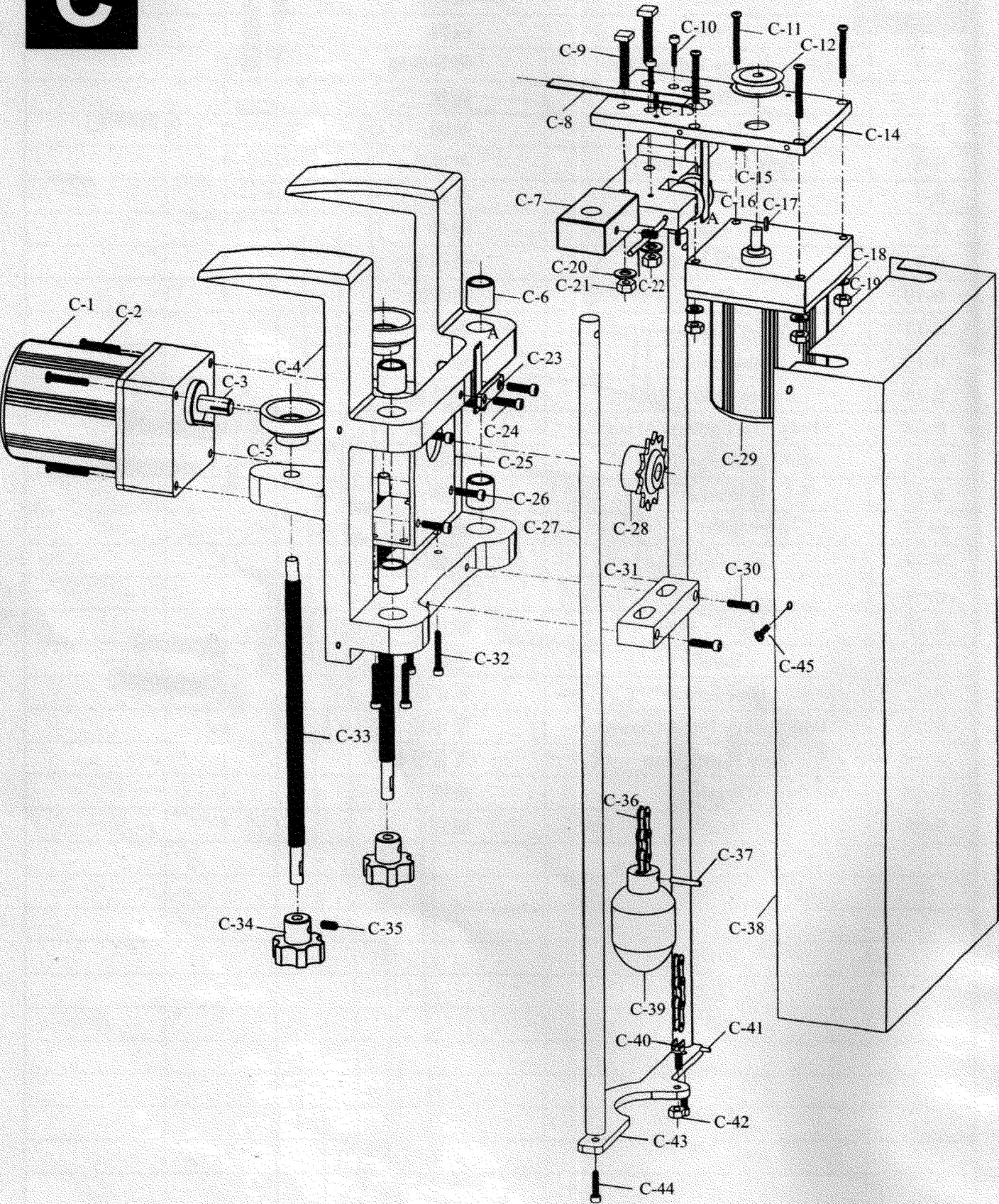
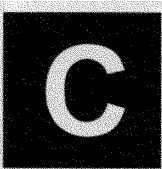


图 14

- 14** 当砂轮磨不到刀片时，应放松磨刀臂螺钉，调整磨刀砂轮位置，使磨刀砂轮和刀片边缘间有个适宜的距离，然后锁紧螺钉。

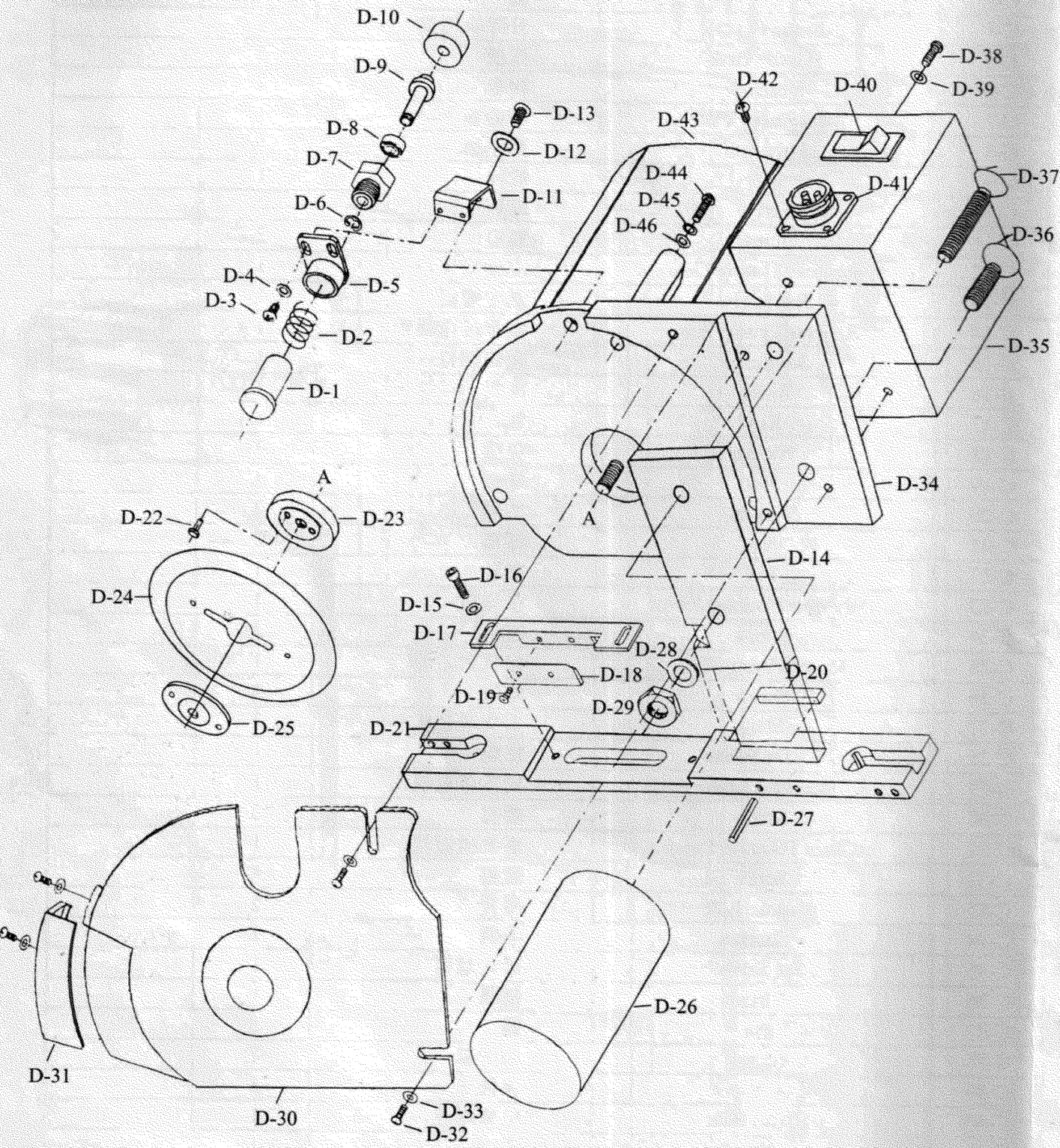
Polishing of round knife

When material can not be cut suitably or polishing of rotating round knife is needed, you should operate on/off switch of knife box to press 2 or 3 times by using the outside parts of grindstone.



Ref.no 序号	Name of parts	名 称	Q'ty 数 量	Remarks 备 注
C-1	Brake Motor	升降电机	1	
C-2	Bolt	螺栓	4	
C-3	Key	键	1	
C-4	Brake Cramp	升降电机架	1	
C-5	Handle Dish	压板	2	
C-6	Bushing	衬套	4	
C-7	Idler Puller Plate	导轮板	1	
C-8	Poly Belt	牵引带	1	
C-9	Bolt	螺栓	1	
C-10	Screw	螺钉	2	
C-11	Screw	螺钉	2	
C-12	Reverse Timing Gear	主动同步带轮	1	
C-13	Set Screw	紧定螺钉	1	
C-14	Reverse Cramp Base	同步带电机板	1	
C-15	Set Screw	紧定螺钉	1	
C-16	Roller	滚轮	1	
C-17	Key	键	1	
C-18	Washer	垫圈	4	
C-19	Nut	螺母	4	
C-20	Washer	垫圈	2	
C-21	Nut	螺母	2	
C-22	Pin	芯轴	1	
C-23	Poly Belt Fixation Metal	带压板	1	
C-24	Screw	螺钉	2	
C-25	Motor Fixing Plate	电机固定板	1	
C-26	Screw	螺钉	4	
C-27	Shaft	后支承轴	2	
C-28	Chain Wheel	链轮	1	
C-29	Reverse Motor	同步带电机	1	
C-30	Screw	螺钉	2	
C-31	Chain Fixation Block	链条固定块	1	
C-32	Screw	螺钉	4	
C-33	Handle Bolt	螺杆	2	
C-34	Handle	手柄	1	
C-35	Set Screw	紧定螺钉	1	
C-36	Chain	链条	1	
C-37	Pin	销	1	
C-38	Guard	防护罩	1	
C-39	Loll Block	垂块	1	
C-40	Chain Bolt	链条螺栓	1	
C-41	Pin	销	1	
C-42	Nut	螺母	1	
C-43	Sinus Plate	弯板	1	
C-44	Screw	螺钉	1	
C-45	Screw	螺钉	4	

D



Ref.no	Name of parts	名 称	Q'ty	Remarks
序 号			数 量	备 注
D-1	Sharpening Switch	磨刀按钮	1	
D-2	Grind Return Spring	弹簧	1	
D-3	Screw	螺钉	2	
D-4	Washer	垫圈	2	
D-5	Fixer	固定套	1	
D-6	Retaining Ring	卡簧	1	
D-7	Cylindrical Screw	锁紧螺钉	1	
D-8	Bearing	轴承	1	
D-9	Mandril	芯轴	1	
D-10	Grind Stone	砂轮	1	
D-11	Grind Fixation Metal	砂轮架	1	
D-12	Washer	垫圈	1	
D-13	Screw	螺钉	1	
D-14	Balance Weight Stay Metal	立板	1	
D-15	Washer	垫圈	2	
D-16	Screw	螺钉	2	
D-17	Knife Frame	磨刀垫固定板	1	
D-18	Fixation Knife	磨刀垫	1	
D-19	Set Screw	磨刀垫螺钉	2	
D-20	Sense Magnet	磁铁	1	
D-21	Knife Bottom Metal	底板	1	
D-22	Pin	刀片传动销	2	
D-23	Knife Transmission Wheel	刀片传动轮	1	
D-24	Circle Knife	刀片	1	
D-25	Knife Screw Nut	刀片锁紧螺母	1	
D-26	Balance Weight	平衡柱	1	
D-27	Spring Pin	弹簧销	2	
D-28	Screw	垫圈	1	
D-29	Nut	螺母	1	
D-30	Knife Guard	刀片防护罩	1	
D-31	Knife Edge Guard	刀头防护罩	1	
D-32	Screw	螺钉	4	
D-33	Washer	垫圈	4	
D-34	Knife Rest	刀架	1	
D-35	Switch Box	开关盒	1	
D-36	Screw	螺钉	1	
D-37	Hexagon Screw	平衡柱螺钉	1	
D-38	Screw	螺钉	1	
D-39	Washer	垫圈	1	

Ref.no	Name of parts	名 称	Q'ty	Remarks
序号			数量	备注
D-40	Switch	开关	1	
D-41	Electrical Outlet	插座	1	
D-42	Screw	螺钉	4	
D-43	Knife Motor	电机	1	
D-44	Screw	螺钉	3	
D-45	Spring Washer	弹簧垫圈	3	
D-46	Washer	垫圈	3	