

NC SERIES

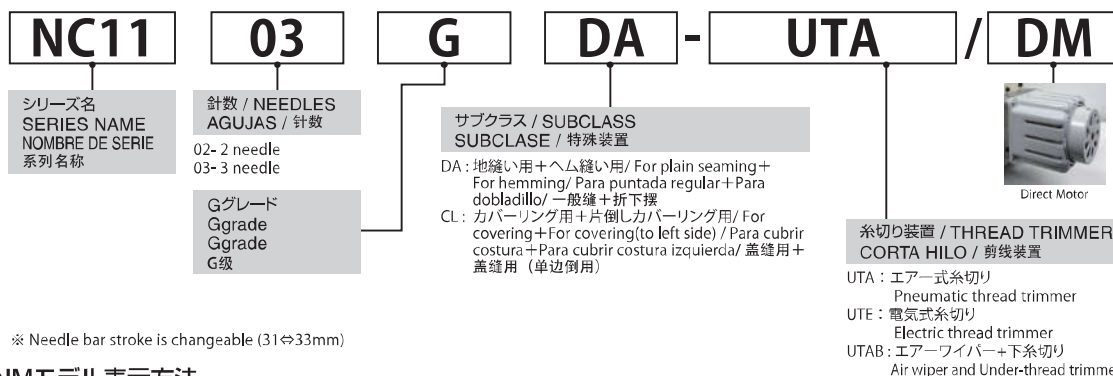
NCシリーズは、超極細シリンダーベッド(外周180mm)、高速・高性能両面飾り偏平縫いミシンです。
 子供服、ベビー服などの袖口のカバーリング、ヘム縫い、首周り、婦人用ストッキング、ショーツなどの縫製に最適です。差動送り装置付きですので、伸縮性のある素材もきれいに仕上がります。

NC series is an ultra small cylinder bed (circumference 180mm), top and bottom cover stitch machine for high speed and reliable performance. Applications: overlock cover seaming and hemming. Major features of this series are ultra small cylinder bed, differential feed mechanism and micro adjust stitch regulator. NC series is well suited for sewing sleeve cuffs, neck opening of infants' clothing, children's clothing, as well as ladies' stockings.

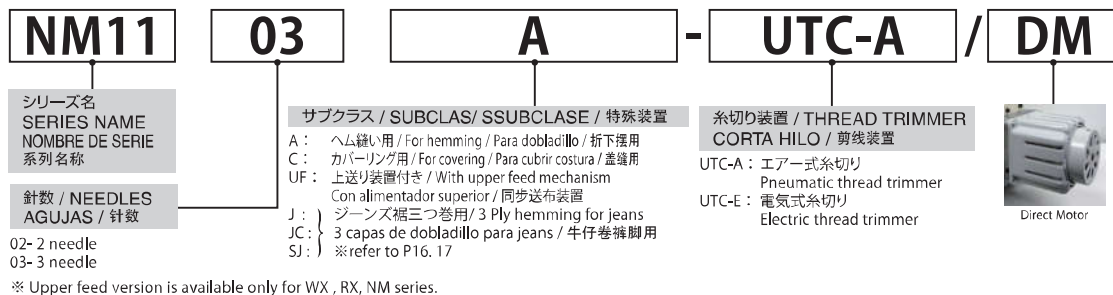
NC serie de alta velocidad con recubridor, superior e inferior, cilindro pequeño (circunferencia 180mm). Esta maquina es la ideal para coser mangas, punos, cuello, en ropa de niño (ribete y recubridor) medias para senora, etc. Esta serie produce terminados muy buenos, incluyendo en telas estrechables, porque esta equipada con mecanismo de alimentador diferencial.

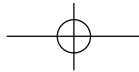
NC 系列为超級细筒式(外周 180mm) 高速, 高性能两面縲缝机。儿童服装的袖口, 包边, 领口, 妇女的裤袜等最为合适, 带差动送布, 也可以缝伸缩性的布料。

NCモデル表示方法



NMモデル表示方法





INDUSTRIAL SEWING MACHINES PRODUCTS GUIDE

TOP & BOTTOM

NW・WX・NL SERIES

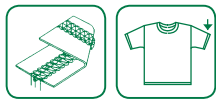
KC SERIES

NR・NR・RX・UF SERIES

NC・NM・UF SERIES

NFS SERIES

NC1103GDA-UTE



3本針極細シリンダーベッド偏平縫いヘム縫い用マルチゲージミシン(D,A)

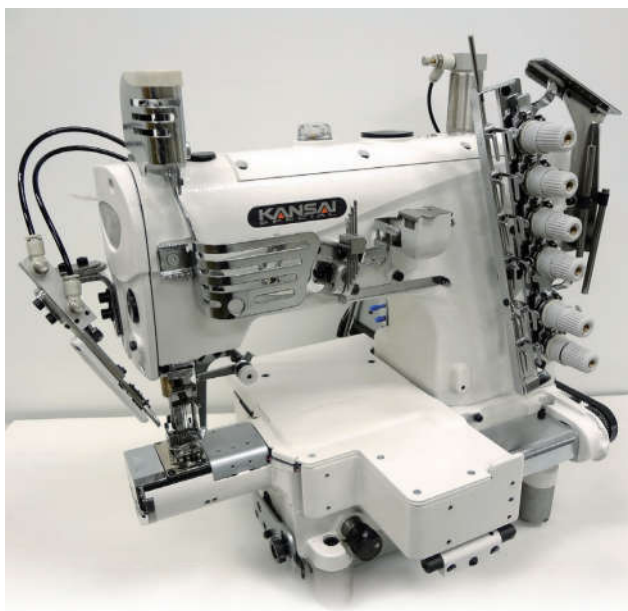
3 needle, ultra small cylinder bed, top and bottom cover stitch machine for hemming and plain seaming

3 agujas, cama cilíndrica pequeña, recubridor superior e inferior para dobladillo (2 juegos de medida de tipo incluyeron)

3 针两面装饰卷边用缝线机

MODEL	No. of Needle	No. of Thread	Needle Type		Gauge (Inch)	No. of Stitch (Stitch/Inch)	Diff. Feed Ratio	Presser Foot Lift (mm)	Needle Bar Stroke (mm)	Max. Speed (rpm)
			Organ (#)	Schmetz (Nm)						
NC1103GDA										
NC1103GDA-UTA										
NC1103GDA-UTE										
	3	5	UYX128GAS 9~14	UYX128GAS 60~90	7/32, 1/4	7~16 (1.6~3.6mm)	0.8~1.4	6	33 (31⇔33)	4500

NC1103GCL-UTA

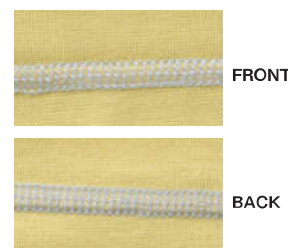


3本針極細シリンダーベッド偏平縫いカバーリング用ミシン

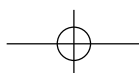
3 needle, ultra small cylinder bed, top and bottom cover stitch machine for covering left fold of overlock seams

Cama cilíndrica, 3 agujas, recubridor superior e inferior, con cortador de hilos automáticos para coser la costura previa de overlock, para la mejor calidad de la prenda

3 针两面装饰单面倒盖缝及中间缝两用缝线机

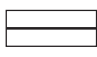
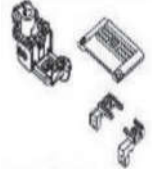


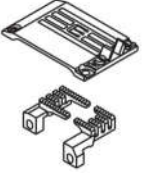

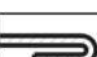



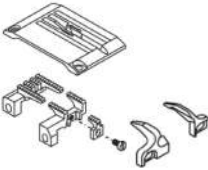



MODEL	No. of Needle	No. of Thread	Needle Type		Gauge (Inch)	No. of Stitch (Stitch/Inch)	Diff. Feed Ratio	Presser Foot Lift (mm)	Needle Bar Stroke (mm)	Max. Speed (rpm)
			Organ (#)	Schmetz (Nm)						
NC1103GCL										
NC1103GCL-UTA										
NC1103GCL-UTE										
	3	5	UYX128GAS 9~14	UYX128GAS 60~90	7/32, 1/4	7~16 (1.6~3.6mm)	0.8~1.4	6	33 (31⇔33)	4500

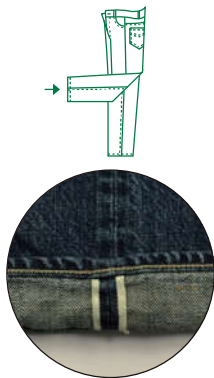


GDA / GCL 比較 / Comparison / Comparacion / 相比

(The following parts for versatile operation are included / Se incluyen las siguientes piezas para un funcionamiento versatil / NC系列为多用途缝纫机，以下零件装入附件箱里面)

DA SERIES			CL SERIES		
 D TYPE	 STANDARD		 CL TYPE	 STANDARD	
 A TYPE	 IN ACCESSORY BOX		 C TYPE	 IN ACCESSORY BOX	

NC1001SJ NC1001J



1本針2重環縫い極細シリンダー裾三ツ巻用ミシン

1 needle, cylinder bed, double chain stitch machine with 3 ply hemming folder

1 aguja, cama cilíndrica, con doble puntada de cadeneta con folder para dobladillos de 3 capas

单针链式缝小细嘴脚踏机

For NM1001J Needle plate guides are available for various denim weights
※Please refer to the right table (front view → foot → stepping sewing parts)



NC1001J

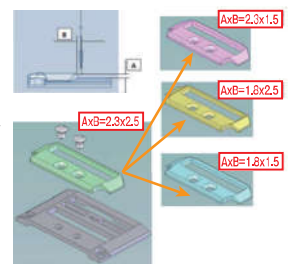
Jタイプは上送りローラーと生地段差調整プレート付き左右差動送り機構により縫いずれを防ぎながら強力な送りで縫製できます。(生地の厚みにより補助針板を換えて下さい。)

Equipped with the new top feed mechanism and left and right differential feed dog mechanism, so that "J-series" sew cross seam sections smoothly especially for extra-heavy jeans. (Various types of needle plate support are available according to fabric thickness.)

Equipado con el nuevo mecanismo de alimentación de la parte superior y mecanismo transportador diferencial izquierda y derecha de modo que "la serie "j" cose las costuras transversales sin problemas especialmente para los pantalones jeans extrapesados. (Varios tipos de soporte de la placa de agujas están disponibles en función del espesor de la tela.)

J型采用上送布轮和左右差动结构，可防止缝制时的布料的错位和以强有力的送布力度进行缝制 (按照布料的厚薄可换辅助针板)

左右差動送り機構 / Left and right differential feed dog mechanism / Mecanismo de transporte diferencial izquierdo y derecho / 左右差動結構



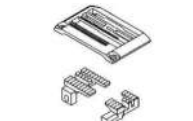
NC1001SJ

SJタイプはφ65mmの極細シリンダーとトラクタフット、差動送りで女性用のジーンズに最適です。

Equipped with φ65mm cylinder, tractor foot, differential feed, NC1001SJ is specialized for women's jeans

NC1001SJ, especializada para Jeans de Mujer. Está equipada con un cilindro de 65mm, pie tractor y pie diferencial (Arrastre).

SJ型为周围65毫米的小细嘴机壳，带特制高低压脚和差动功能，最适合于女装牛仔裤的缝制



前後差動送り機構 / Front and back differential feed dog mechanism / Mecanismo de transporte diferencial frontal y posterior / 前后差動結構





NC1001J-CD-UTC-AB※

自動糸切り、コンデンスステッチ機能付マシン
With condense stitch function and under thread trimmer
Con puntada condensada y corta hilo neumatico
带自动剪线装置、密缝功能
*NC1001J will be changed from NM1001J soon.

NC-J, NC-SJ SERIES TECHNICAL DATA 仕様明細

MODEL	Subclass	Circumference (mm)	No. of Needle	No. of Thread	Needle	No. of Stitch (Stitch/Inch)	Diff. Feed Ratio		Teeth Pitch	Presser Foot Lift (mm)	Upper Feed Roller	Needle Bar Stroke (mm)	Max. Speed (rpm)	Stepped Sewing Parts	
							Front	Back						Front View	Remarks
NC1001	J	266 (with guide roller) ≥ Φ85	1	2 max #8	TVX5 #14~ 22	6~11 (2.3~4.2mm)	-	0.8-1.2	1.6	10	-	34	3000	 6.2mm adjustable A x B 2.3 x 2.5 (standard) (option) 2.3 x 1.5 1.8 x 2.5 1.8 x 1.5	
	J-UTC-AB														
	J-CD-UTC-AB														
	SJ	195 (none guide roller) ≥ Φ65	1	2~3 max #8	TVX5 #14~ 23	6~11 (2.3~4.2mm)	0.8-1.2	option	2.54	9	-	34	3500	 1mm 3mm	
	SJC														
SJ-UTC-AB SJC-UTC-AB															

C : コンデンスステッチ機能付 / With condense stitch function / Con función de puntada condensada / 带密缝装置
F : FOLDER (SJF, SJCF)

NM-UF SERIES TECHNICAL DATA 仕様明細

MODEL	No. of Needle	No. of Thread	Needle Type		Gauge (Inch)	No. of Stitch (Stitch/Inch)	Diff. Feed Ratio	Upper Feed Amount (mm)		Presser Foot Lift (mm)	Needle Bar Stroke (mm)	Max. Speed (rpm)
			Organ (#)	Schmetz (Nm)				←	↑			
NM1102A-UF NM1102C-UF	2	4	UYX128GAS 11~14	UYX128GAS 60~90	3/16	7~16 (1.6~3.6mm)	0.8~1.4	1~7	3.5~6	6	33	4500
NM1103A-UF NM1103C-UF	3	5			7/32, 1/4							
NM1102A-UF/UTC-A/E NM1102C-UF/UTC-A/E	2	4			3/16							
NM1103A-UF/UTC-A/E NM1103C-UF/UTC-A/E	3	5			7/32, 1/4							
NM1103CL-UF/UTC-A/E												