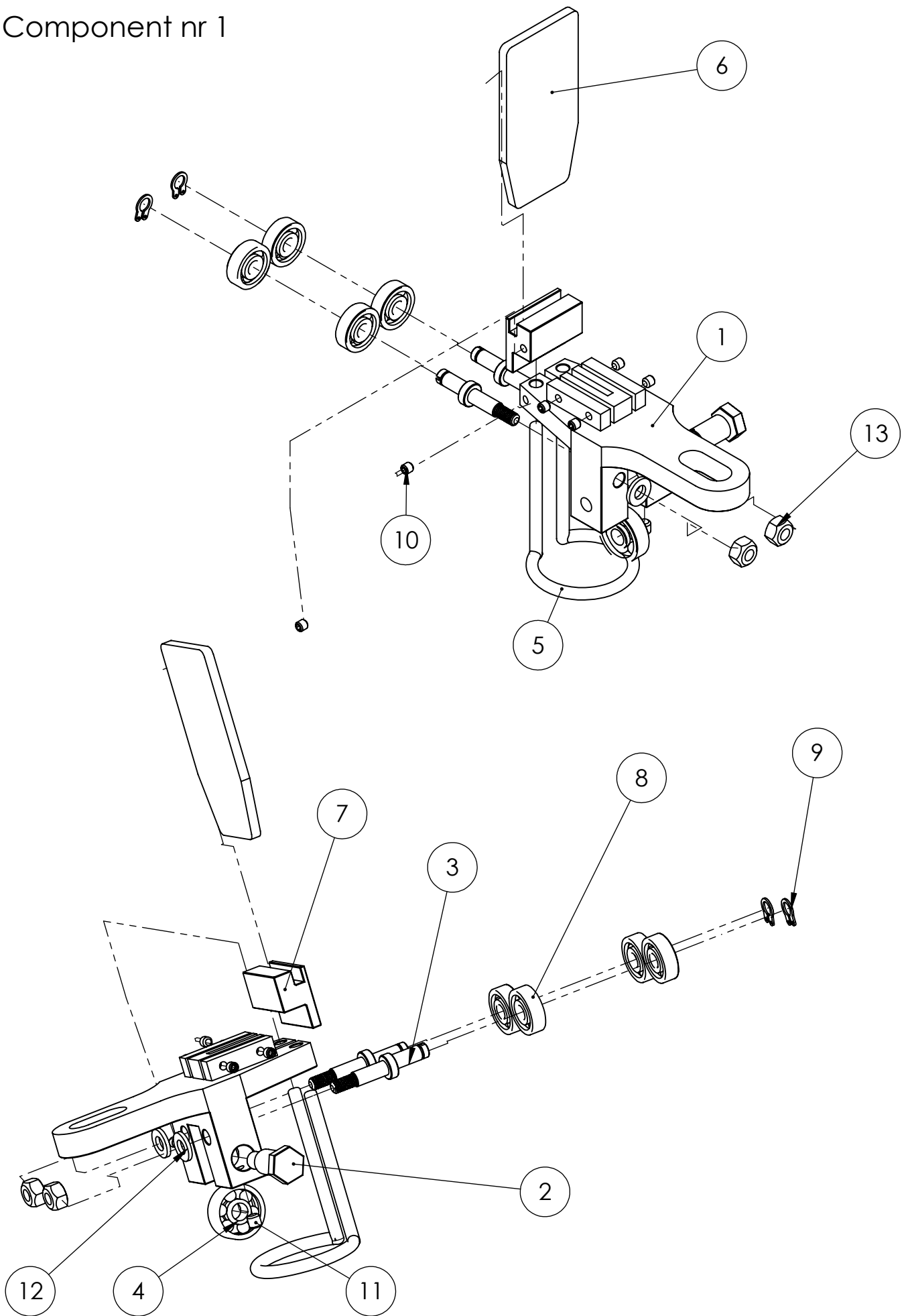


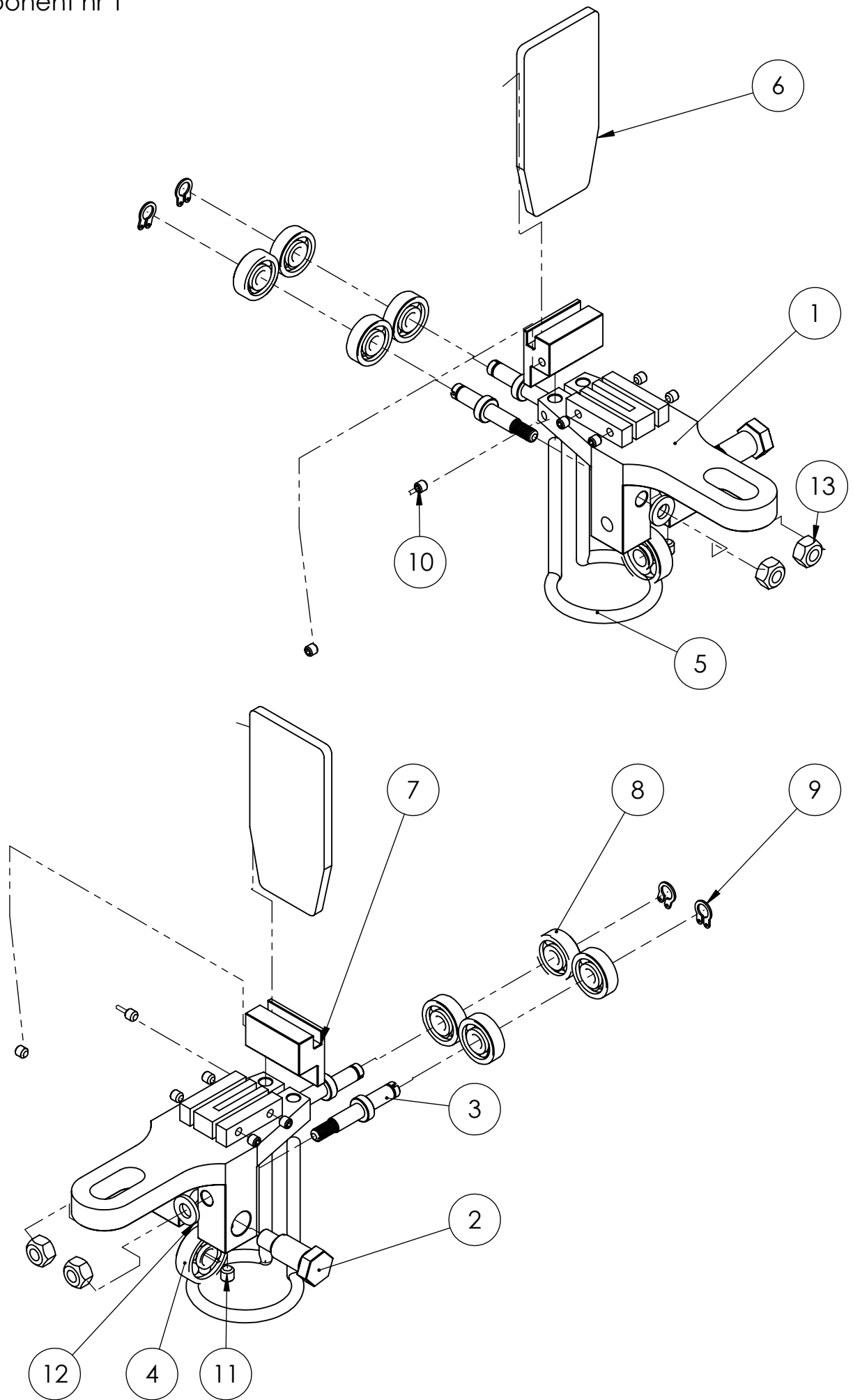
Component nr 1



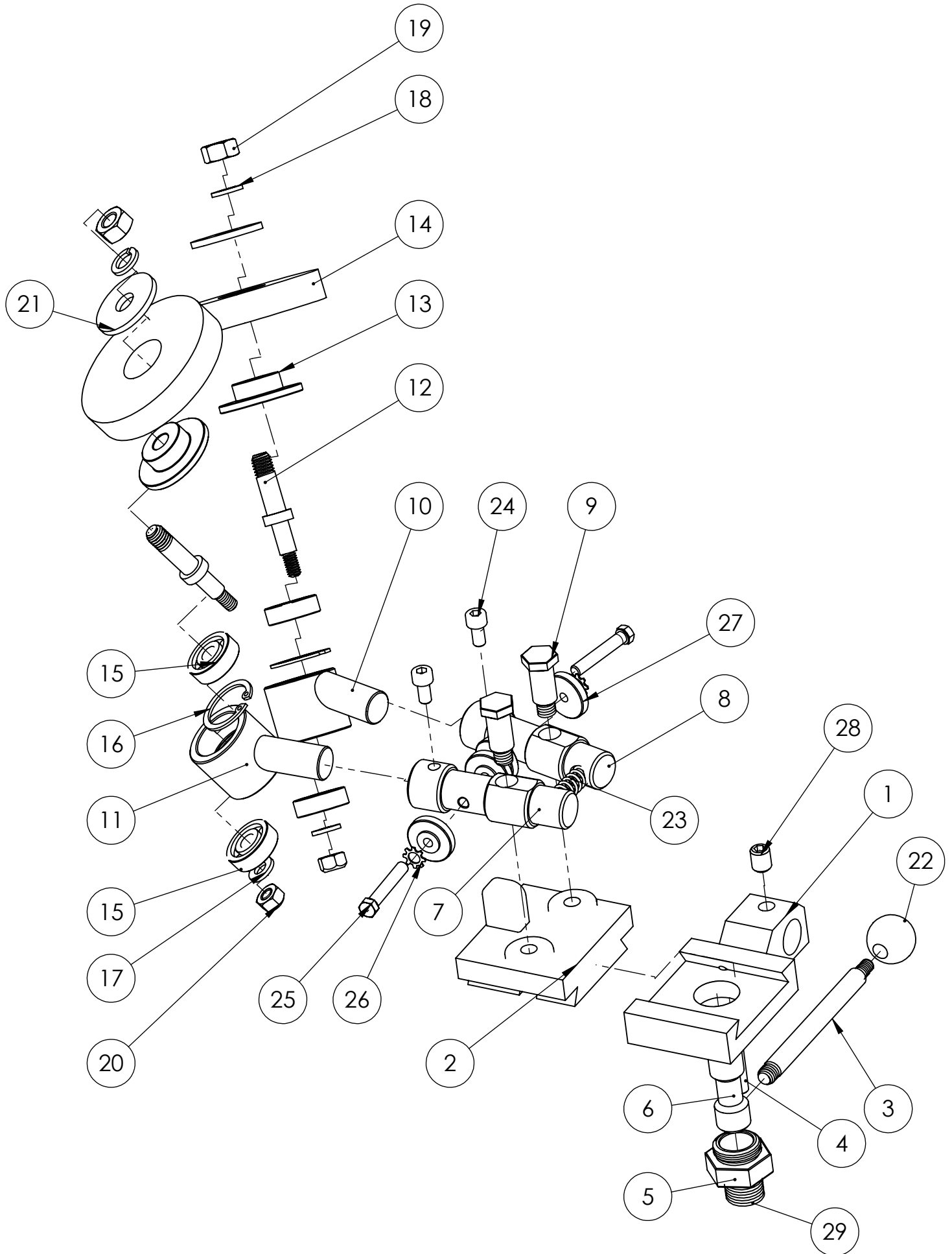
Component NR 1

ELEMENT No.	DESCRIPTION:		Pieces:
1	band knife guide		1
2	bearing pin		1
3	pin 2		2
4	bearing 627		1
5	wire cover		1
6	cover made of plexi		1
7	holder of plexi cover		1
8	PN-M-86100 2Z_626 2Z_6_19_6_V4	Ball bearing 626 2Z	4
9	PN-M-85111 Z_6_N_V4	Retaining ring Z 6x0,7	2
10	ISO 4766 - M8 x 30-N	Screw M4x4-45H-A	6
11	ISO 4766 - M8 x 30-N	Screw M5x5-33H-A	1
12	PN-EN 28738_6_fIZnnc- 240h_V4	Washer 6-160HV-fIZnnc-240h	2
13	PN-EN ISO 7042_M6_10_A_fIZn- 240h_V4	Nut M6-10fIZn-240h	2

Component nr 1



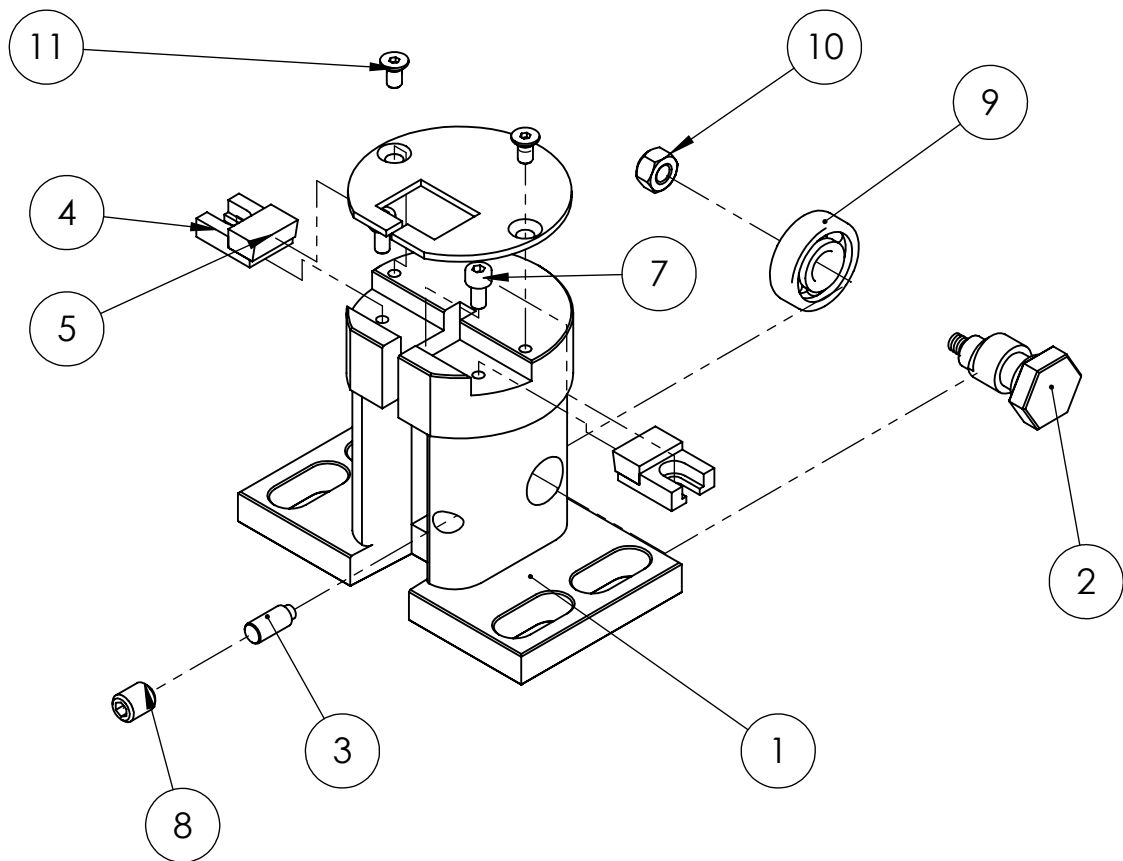
Component nr2



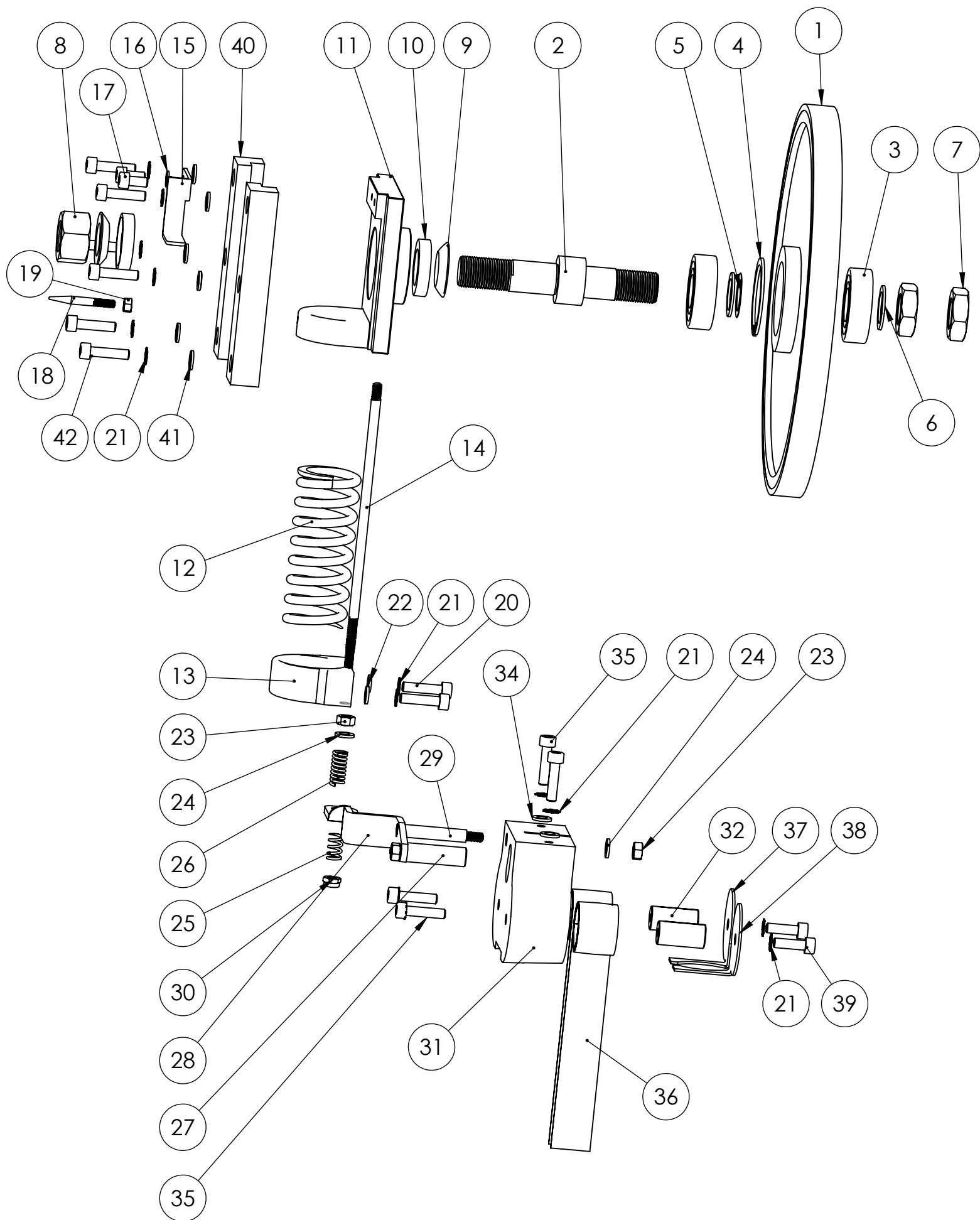
Komponent nr 2

Element No.	DESCRIPTION		Pieces
1	sharpener bottom		1
2	sharpener top		1
3	handle		1
4	pin		1
5	nut m20x1		1
6	sharpener pin		1
7	sharpener holder l		1
8	sharpener holder p		1
9	bolt		2
10	1		2
11	2		2
12	pivot		2
13	sleeve with collar		2
14	sharpening stone		2
15	PN-M-86100 2RS_627 2RS_7_22_7_V4	Ball bearing 627 2RS	4
16	PN-M-85111 W_24_N_V4	Retaining ring W 24x1,2	2
17	PN-EN 28738_6_V4	Washer 6-1 60HV	2
18	Stal	Spring washer L 8,2	2
19	PN-EN ISO 4032_M8_10_A_V4	Nut M8-10-A	2
20	PN-EN ISO 7042_M6_8_A_V4	Nut M6-8	2
21	PN-EN ISO 10673_L_10_V4	Washer L-10-200 HV	2
22	kulka		1
23	sprezyna 1		1
24	Stal	Bolt M5x10-10.9-A	2
25	Stal	Bolt M5x30-10.9-A-flZn-240h	2
26	PN-M-82024_5,3_V4	Washer 5,3	2
27	Stal	Knurled nut M5-5-flZn-240h	4
28	ISO 4766 - M8 x 30-N	BoltM8x10-33H-A	1
29	spring 2		1

Component nr 3



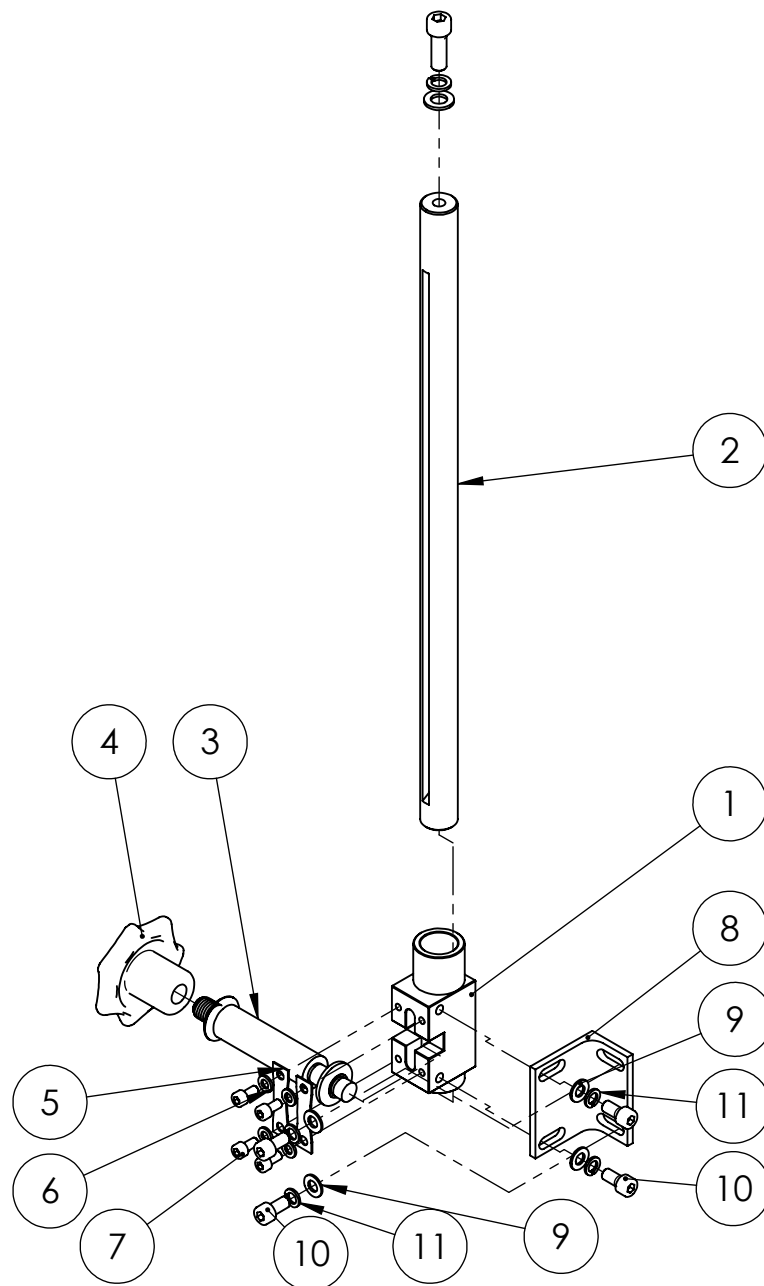
Element No.		DESCRIPTION	PIECES
1	Band lower guide		1
2	gudgeon pin 3		1
3	blocking ring		1
4	conter knife holder		2
5	conter knife		2
6	cover		1
7	Steel	Bolt M4x8-10.9-A	2
8	ISO 4766 - M8 x 30-N	Bolt M8x10-33H-A	1
9	PN-M-86100 2Z_629 2Z_9_26_8_V4	Ball bearing 629 2Z	1
10	PN-EN ISO 7042_M6_10_A_fIZn- 240h_V4	Nut M6-10fIZn-240h	1
11	Steel	Bolt M4x8-A2-70-A-fIZn-240h	2



Component nr 4

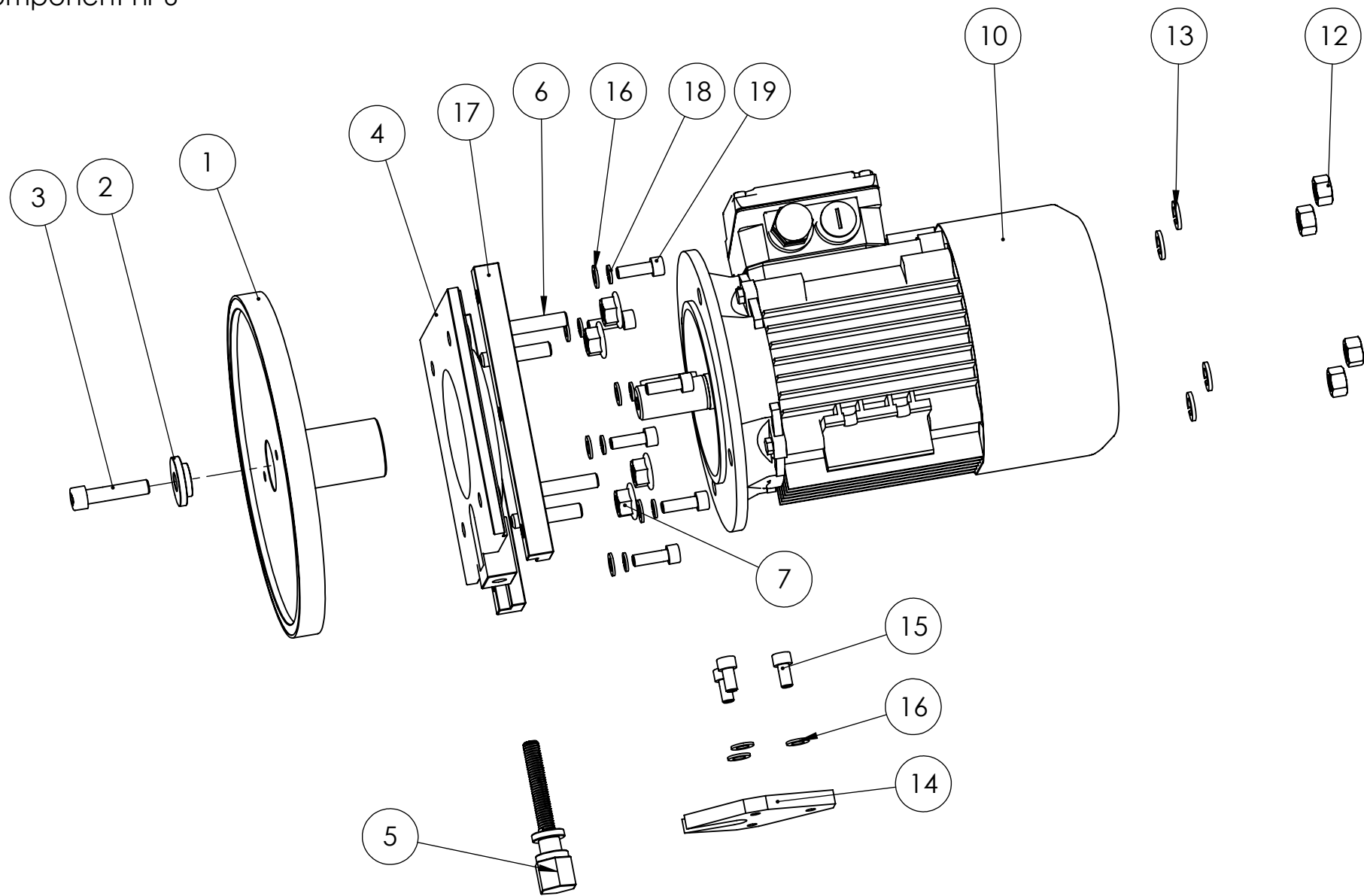
ELEMENT no.	DESCRIPTION		PIECES
1	Band wheel A		1
2	axis		1
3	PN-M-86100 2Z_6204 2Z_20_47_14_V4	Ball bearing 6204 2Z	2
4	PN-M-85111 W_47_N_V4	Retaining ring W 47x1,75	1
5	Washer 20x28x0,3 Din 988		1
6	Washer 20x28x1.5 Din 988		2
7	PN-EN ISO 8675_M20x1.5_04_B_V4	Nut M20-04-B	2
8	PN-EN ISO 4032_M20_10_B_fIZnL-720h_V4	Nut M20-10-B-fIZnL-720h	1
9	Spherical washer M20 fi 21 Din 6319		2
10	Cone washer M20 fi23.2 Din 6319 D		2
11	Band wheel tensioner		1
12	Spring 3		1
13	Spring supporter		1
14	Pushing rod		1
15	End switcher pushing rod		1
16	PN-EN 28738_5_fIZnL-480h_V4	Washer 5-160HV-fIZnL-480h	2
17	Steel	Nut M6x12-10.9-A-fIZnL-480h	2
18	Retaining pin		1
19	PN-EN ISO 4032_M5_10_A_fIZn-480h_V4	Nut M5-10-A-fIZn-480h	1
20	Steel	Bolt M6x25-10.9-A-fIZnnc-480h	2
21	PN-M-82024_6,4_V4	Washer 6,4	15
22	PN-EN ISO 7092_6_200 HV_St_fIZnnc-720h_V4	Washer 6-200 HV fIZnnc-720h	2
23	PN-EN ISO 4032_M6_10_A_fIZn-480h_V4	Nut M6-10-A-fIZn-480h	2
24	PN-EN ISO 7091_6_fIZn-480h_V4	Washer ISO 7091-6-fIZn-480h	2
25	Spring 2		1
26	Spring 1		1
27	Pushing rod		1
28	Clamp holder		1
29	Holding pin		1
30	PN-EN ISO 10511_M6_04_A_fIZnnc-480h_V4	Nut M6-04-fIZnnc-480h	1
31	Band cover		1
32	Sleeve		2
33	PN-EN ISO 4032_M6_10_A_fIZnnc-480h_V4	Nut M6-10-A-fIZnnc-480h	1
34	PN-EN ISO 7091_6_fIZnnc-720h_V4	Washer ISO 7091-6-fIZnnc-720h	2
35	Stal	Bolt M6x25-10.9-A-fIZnL-480h	4
36	Band cover (yellow)		2
37	Band cover		1
38	Band cover right		1
39	Steel	Bolt M6x20-10.9-A-fIZn-480h	2
40	Upper guide		2
41	PN-EN ISO 7090_6_200 HV_St_fIZn-480h_V4	Washer ISO 7090-6-200 HV-St-fIZn-480h	6
42	Steel	Bolt M6x25-10.9-A-fIZn-480h	6

Component nr 5



ELEMENT NO.	DESCRIPTION		PIECES
1	Body of adjuster		1
2	Height arjustrhod		1
3	Handle 1		1
4	Handle black		1
5	Sleeve		2
6	PN-EN ISO 7091_6_fIZn-480h_V4	WasherSO 7091-6-fIZn-480h	4
7	Stal	Bolt M6x12-10.9-A-fIZn-480h	4
8	Big holder		1
9	PN-EN ISO 7090_8_200 HV_St_fIZn-480h_V4	Washer ISO 7090-8-200 HV-St-fIZn-480h	4
10	Steel	Bolt M8x16-10.9-A-fIZn-480h	4
11	Steel	Spring washer L 8,2	4
12	PN-EN ISO 7091_10_fIZn-480h_V4	Washer ISO 7091-10-fIZn-480h	1
13	Steel	Spring washerL 10,2	1
14	Steel	Bolt M10x30-10.9-A	1

Component nr 6



ELEMENT no.	DESCRIPTION		PIECES
1	Band wheel B		1
2	Washer		1
3	Steel	Nut M10x45-10.9-A-flZn-720h	1
4	Motor mounting stand		1
5	Adjusting bolt		1
6	ISO 4766 - M8 x 30-N	Bolt M10x50-33H-A	4
7	PN-EN 1661_M12_8_A_flZn-480h_V4	Nut M12-8-flZn-480h	4
8	B5 Sh90		1
9	NDE sk_S_vld Sh90		1
10	Fl_S_dktk_S_epa Sh 90L		1
11	Statorhus Sh 90L		1
12	PN-EN ISO 4032_M12_10_A_V4	Nut M12-10-A	4
13	Stal	Spring washer L 12,2	4
14	uchwyt regulacji silnika		1
15	Stal	Bolt M8x16-10.9-A	3
16	PN-EN ISO 7091_8_flZn-480h_V4	Washer ISO 7091-8-flZn-480h	9
17	Lower guide		2
18	Steel	Spring washer L 8,2	6
19	Steel	Bolt M8x25-10.9-A-flZn-480h	6